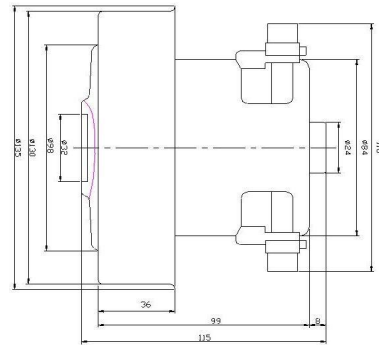
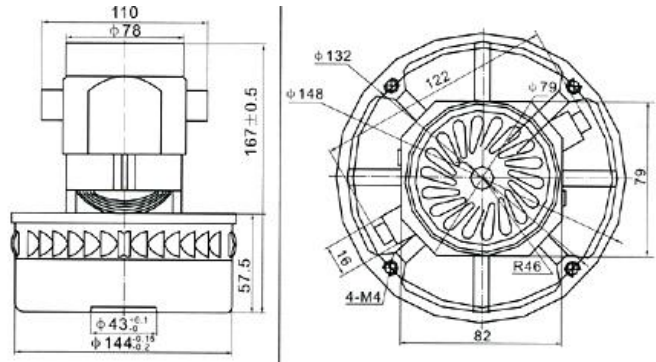


TW-135144 Vacuum Cleaner Motor

OUTPUT POWER:1200~1800 W (APPROX)



Specification	Model	TW-135				Tolerance Value
	Voltage(V)	100 110 120	100 110 120 220	100 110 120 220	100 110 120 220	/
	Frequency(Hz)	50/60	50/60	50/60	50/60	/
	Input (W)	1500	1600	1700	1800	±10%
	Max Vacuum Degree(KPa)	24.5	25.5	26	26.5	-5%
	Max Air Quantity(m3/min)	2.7	2.8	2.9	3	-8%
	Temp.Rise(K)	<85	<85	<85	<85	/
	Noisy(dB)	100	101	100	101	/
	Sparkle Grade	<2 Level	<2 Level	<2 Level	<2 Level	/
	Insulation Grade	B	B	B	B	/
Max Eff.(%)	35	35	35	35	-10%	



Specification	Model	TW-144		Tolerance Value
	Voltage(V)	220 230 240 100 110 120	220 230 240 100 110 120	/
	Frequency(Hz)	50/60	50/60	/
	Input (W)	1200	1400	±10%
	Max Vacuum Degree(KPa)	22	23	-5%
	Max Air Quantity(m3/min)	3.1	3.2	-8%
	Temp.Rise(K)	<85	<85	/
	Noisy(dB)	99	100	/
	Sparkle Grade	<2 Level	<2 Level	/
	Insulation Grade	B	B	/
Max Eff.(%)	32	32	-10%	