

SHENZHEN ODIN IMPORT AND EXPORT CO., LTD

Specification

Part name: Motor Ass'y-Coffee Machine

Part No: HC5412M220

Part Code: _____

Document No: ODIN 2014-0313-1

Version: A

Date: IN MARCH. 13. 2014

Customer Approval Signature



Listed By:

Checked By:

Approved By:

www.tw-motor.com

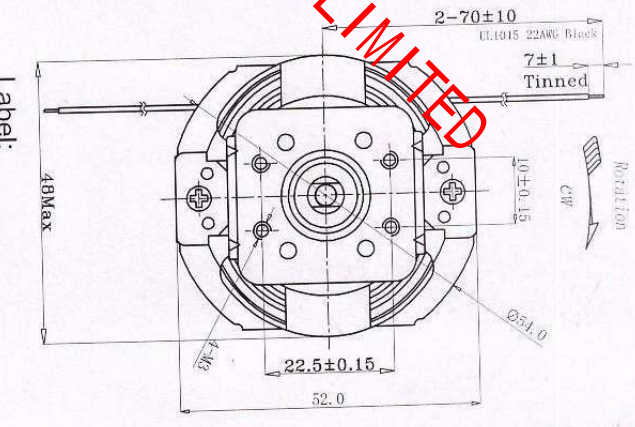
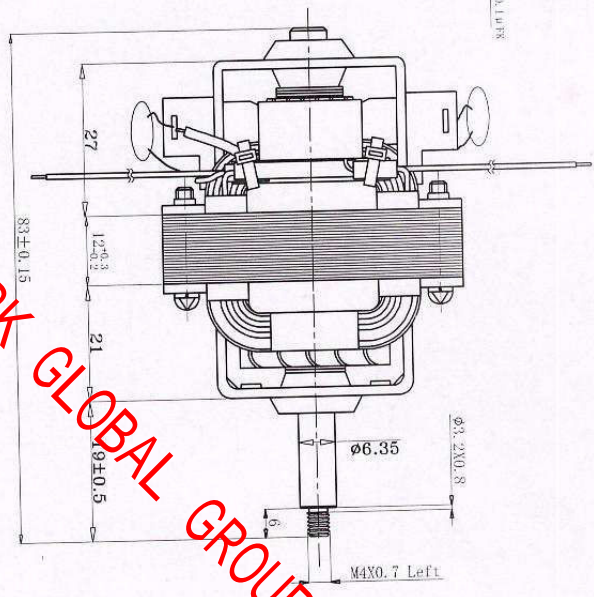
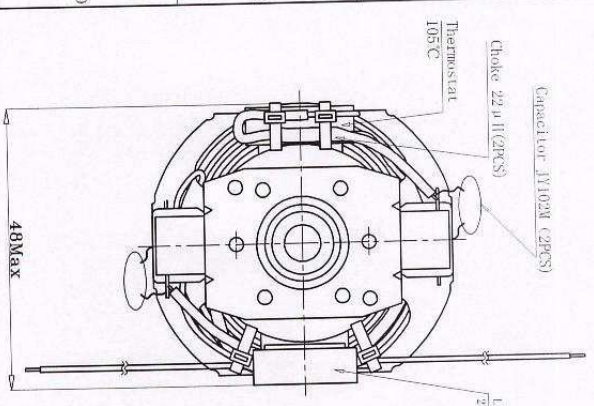
ON SWD

REV A FIRST ISSUE

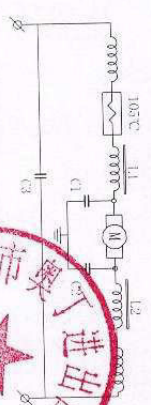
DESCRIPTION

DATE

BY



CIRCUIT DIAGRAM



Note:
 L1=L2=22 uH;
 C1=C2=100 nF; Y102M
 C3=C4=1 uF; FR-220
 Thermostat: K1-AV 105°C.

TEAMWORK GLOBAL GROUP LIMITED

Label:
 U541222
 220V/60HZ
 MADE IN CHINA

WWW.tw-motor.com

NO.	REV.	DATE	BY	CHK.	DESCRIPTION
1	A				FIRST ISSUE

DWN. BY	CHK. BY	APP. BY
Date:(yyyymmdd)	Date:(yyyymmdd)	Date:(yyyymmdd)
MATERIAL:		
FINISH:		
General Tolerance ISO 2768-1 Class m (Unless specified)		
ALL DIMENSIONS ARE IN MILLIMETRES		
SHENZHEN DOWIN IMPORT AND EXPORT CO.,LTD		
TITLE	DWG NO.	SHEET 1 OF 1
HC5412M220		A
SCALE 3:1	NOT SCALE	



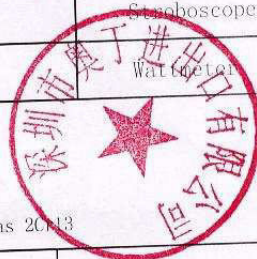
SHENZHEN ODIN IMPORT AND EXPORT CO., LTD

Outgoing Inspection Specification

Motor Mode: HC5412M220

Number Code: RD002.20111221-1

ITEM	DESCRIPTION	STANDARD		MEASURING EQUIPMENT	AQL
1	Testing Voltage	220V/60Hz		Voltmeter	AQL1.0
2	Stator Lamination Stack Height	12(+0.3, -0.2) mm		Cauper	AQL4.0
3	Distance Between End of Brackets	60 ref. mm		Cauper	AQL4.0
4	Shaft Extension Length	19±0.5 mm		Cauper	AQL4.0
5	End Play	0.3~1.0mm		Cauper	AQL4.0
6	Direction Of Rotation	CW		View	AQL4.0
7	Thermal Protector	105°C		View	AQL1.0
8	Fan	Φ6.35x10Px4(CW)		View	AQL4.0
9	Hi-Pot Test	1500V/10mA/1sec		Hi-pot Tester	AQL1.0
10	Spark(free load)	Class Max		View	AQL4.0
11	Vibration	11.2 mm/s		Vibration Tester	AQL4.0
12	Noise Level	≤86dB(A) at 1m working in unit		Noise Meter	AQL4.0
13	Lead Wire	△ UL1015# 22AWG Black(2-70±10)		Ruler	AQL4.0
14	No Load Performance △	Speed (RPM)	31000±15%	Stroboscope	AQL4.0
		Power (W)	90±20%	Wattmeter	AQL4.0
15	On Load Performance	Speed (RPM)		Stroboscope	AQL4.0
		Power (W)		Wattmeter	AQL4.0
Remark: 1. The Item Noted With "△" Is Special And Important Outline Drawing: HC5412M220 2. The materials of shaft should be stainless steel such as 2013					
Issued By:		Checked By:		Approved By:	



TEAMWORK GLOBAL GROUP LIMITED
 www.tw-motor.com

SHENZHEN ODIN IMPORT AND EXPORT CO., LTD
Motor Specification Sheet

Motor Mode: HC5412M220

Number Code: 201340313-1

ITEM	DESCRIPTION	STANDARD	
1	Rated Voltage	<input type="checkbox"/> 100V/50-60Hz <input type="checkbox"/> 120V/60Hz <input type="checkbox"/> 125V/60Hz <input type="checkbox"/> 220V/50Hz <input checked="" type="checkbox"/> 220V/60Hz	
2	Free Load Performance	Current (A)	
		Input Power (WI)	90±20%
		Speed (RPM)	31000±15%
3	On Load Performance (With Customer Fan)	Current (A)	/
		Output Power (WI)	/
		Speed (RPM)	/
4	Hi-Pot Test	1500V/1Sec/10mA	
5	Temperature Rise Test	See Motor Testing Confirmation Sheet	
6	Female Terminal and Bracket	NO	
7	Insulation Class	Class IEC B	
8	Thermal Protector	105°C	
9	Choke	22uH	
10	Capacitor	FY102M	
11	Line Capacitor	0.1uF K 275V-X2	
12	Dimensions	See Outline Drawing: HC5412M220	
13	Life Time	See Motor Testing Confirmation Sheet	
14	Spark	1.5 Class Max	
15	Vibration	11.2mm/s	
16	Noise Level	≤86dB(A) at 1m working in unit	
17	Locked Test	See Motor Testing Confirmation Sheet	
Issued By:		Checked By:	Approved By:

TEAMWORK GLOBAL GROUP LIMITED

www.tw-motor.com



SHENZHEN ODIN IMPORT AND EXPORT CO., LTD

Motor Testing Confirmation Sheet

Number Code: 20140313-1

Rev. : A

Date Of Issue: 13-03-2014

Motor Code	Motor Model	HC5412M220	Customer Name	AD	
Motor Application	Coffee Machine	Rated Voltage	220V/60Hz	Insulation Class	IEC CL B

ITEM	REQUIREMENT	CJC TEST RESULT	CUSTOMER TEST RESULT	REMARK
Temperature Test	/	UNDO	Please confirm it	Please provide standard
Locked Rotor Test	According to IEC60335-1 at 220V/60Hz voltage	UNDO	Please confirm it	Please provide standard
Life Test	—	UNDO	Please confirm it	Please provide standard
EMC Test	According to EN55014	PASS	Please confirm it	Please provide standard

It is confirmed that the above motor has been accepted
Customer Approval Stamp/Signature

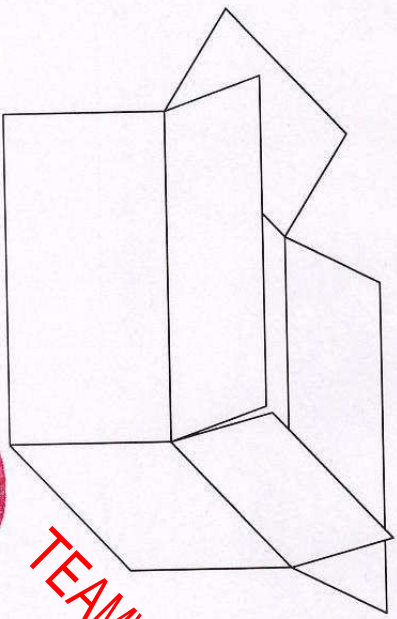


TEAMWORK GLOBAL GROUP LIMITED

www.tw-motor.com

- 技术要求:
1. 纸箱内腔尺寸为: 480X360X320
 2. B=B双坑纸板.
 3. 两正反面内容:

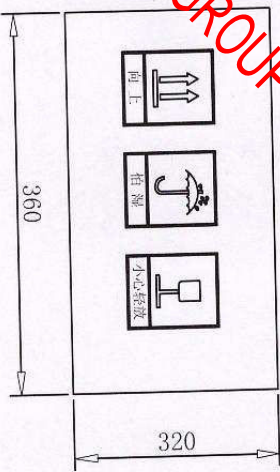
不用印字



4-侧面内容:

U541222	PCS
QTY: 100	PCS
N.W: 27.1	KGS
G.W: 29.1	KGS
M: 480X360X320	MM

5. 另一侧面内容:



6. 字体为黑色宋体, 字迹清晰美观.

DRAWN BY (绘图)	肖腾军	MODEL NO. (型号)	MT-5412M220	SPEC. (规格)	B=B
CHECKED BY (审核)		PART NO. (零件名称)	纸箱	MATERIAL (材质)	
REVIEWED BY (审把)		DRAWING NO. (图纸编号)		CODE NO. (物料编号)	
APPROVED BY (批准)		PROJECTION (投影)		SCALE(比例)	NO SCALE
Date (日期)				UNIT(单位)	CM
				Version (版本)	A



TEAMWORK GLOBAL GROUP LIMITED

WWW.tw-motor.com